

## Ecostat

### Bath thermostat Comfort for exposed installation

Surfaces: **Polished Gold Optic** Article Number: **13114990**



#### Description

##### product features

- consists of: bath thermostat
- projection 177 mm
- 2 functions
- centre distance:  $150 \pm 12$  mm
- spray type mixer: normal spray
- flow rate for bath spout at 3 bar: 20 l/min
- flow rate of hand shower at 3 bar: 16 l/min
- minimum flow pressure: 1 bar
- min. operating pressure: 1 bar
- max. operating pressure: 10 bar
- thermostat cartridge, shut-off/ diverter valve
- safety lock at  $40^\circ$  C
- temperature limitation adjustable
- non-return valve
- with silencer
- material handles: metal
- connection type: s-shaped connections
- connection dimension: DN15
- dirt filter included

#### Technology



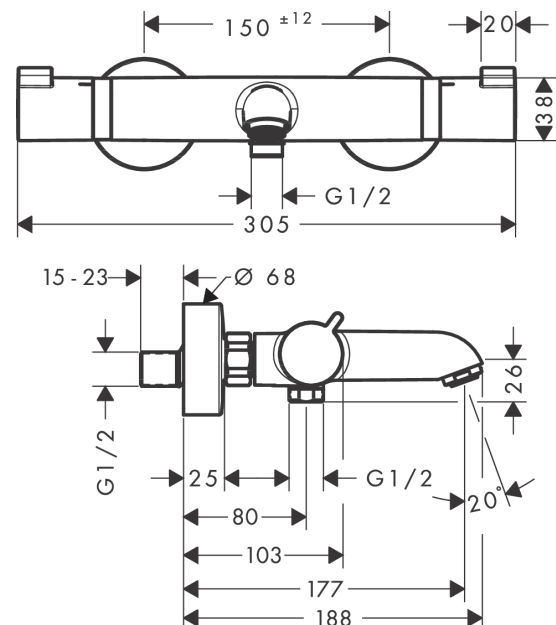
#### Design awards



#### Product image



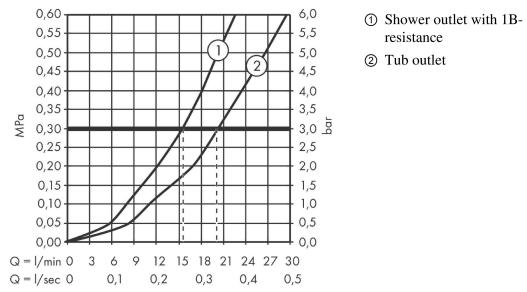
#### Scale drawing



**Ecostat**  
**Bath thermostat Comfort for exposed installation**  
 Surfaces: **Polished Gold Optic**    Article Number: **13114990**



### Flowchart



## Ecostat

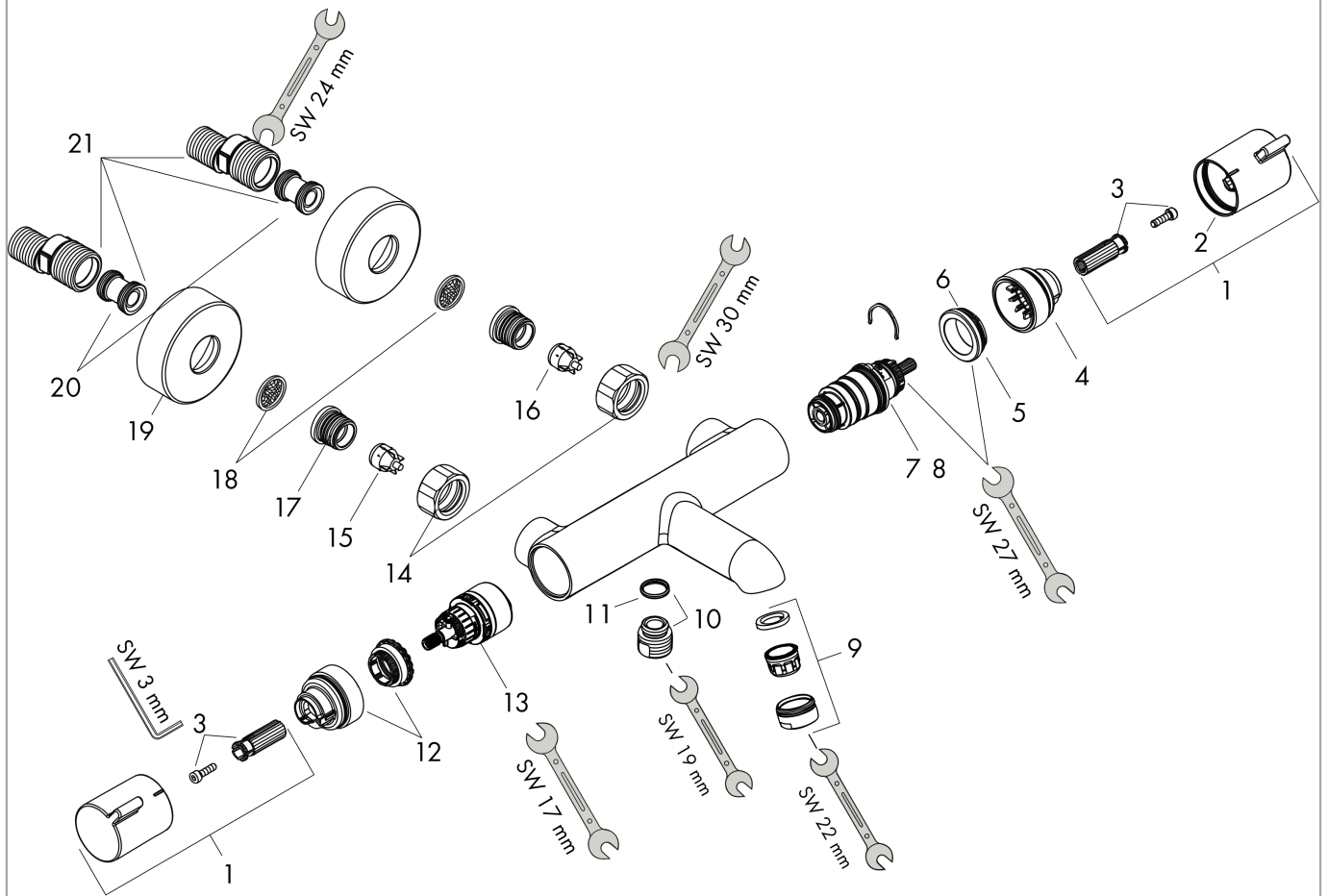
Bath thermostat Comfort for exposed installation

Surfaces: Polished Gold Optic Article Number: 13114990



### Exploded Drawing

Year of production: >07/19



**Ecostat****Bath thermostat Comfort for exposed installation**Surfaces: **Polished Gold Optic** Article Number: **13114990****Spare part list**

Year of production: &gt;07/19

Pos.	Description	Article Number	Price	PU
1	handle	95836990	-	1
2	pushbutton	92848990	-	1
3	handle fixing set	95843000	-	1
4	safety set	95839000	-	1
5	nut	98913000	-	1
6	O-ring 26x1,5	98390000	-	1
7	thermostat cartridge	98282000	-	1
8	cartridge for exchanged connections	92373000	-	1
9	aerator M24x1 (30 l/min)	96512990	-	1
10	connecting thread	95392000	-	1
11	O-ring 14x2	98129000	-	1
12	safety set	95840000	-	1
13	shut off unit with selector	98283000	-	1
14	set of nuts	96157990	-	1
15	non return valve (pressure-resistant up to 2 MPa)	93136000	-	1
16	non return valve	96737000	-	1
17	O-ring 17x1,5	98137000	-	1
18	filter packing	96922000	-	1
19	escutcheon Ø 68 mm	96467990	-	1
20	set of S-unions (±12 mm)	94140000	-	1
21	noise reduction	96429000	-	1